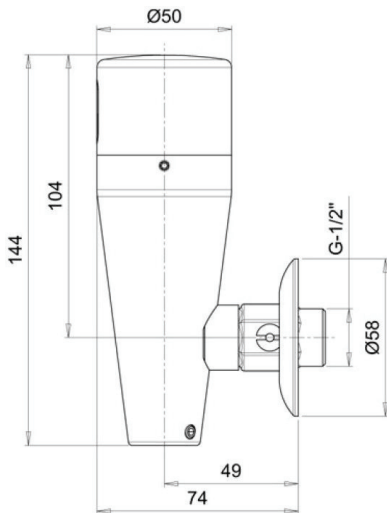


Range: Electronic
Article Name: Electronic exposed urinal flush valve
Article Code: EL-3004
SAP Code: FELURVCC-0GT0176
Barcode: 6002194063384



SABS
 ISO 9001



Description:

Exposed touch free, electronic control valve. 1/2" BSP MI.

Finish:

Chrome Plated

Spares:

- C-EL-2 - Filter
- C-EL-3 - Solenoid valve
- C-EL-1 - Sensor kit

- Includes: Super capacitor power supply.

Notes:
This urinal flush valve can be used with:

- FJT5.4
- FJT5.5
- FJT5.8

Features & Benefits:

- Maximum flow through solenoid at 3.5 bar, 16 ltrs/ min. Therefore at minimum flush time setting of 3 sec, the flush volume will be 0.8 ltrs, and at maximum flush time setting of 20 sec, the flush volume will be 5.3 ltrs. At factory default setting of 9 sec flush time setting, the flush volume will be 2.4 ltrs.
- Touch free hygienic operation.
- Integral solenoid valve.
- Integral battery for anti tamper feature.
- Operating pressure 0.3 to 8.0 bar (30 - 800kPa).
- Sensor range - adjustable (factory set 55 cm).
- Sensing time (Person to enter proximity) - adjustable 3 to 20secs (factory set 9 secs) this initiates activation cycle.
- Flush will then commence when person walks away.
- With 24 hour auto flush option for hygiene.
- Ideal for use in public places.
- Ideal for physically challenged persons.
- Chrome plated.

Flow Chart:

